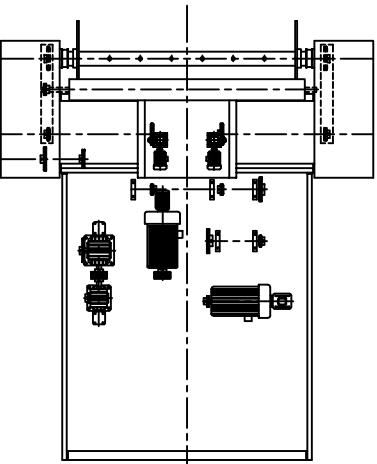


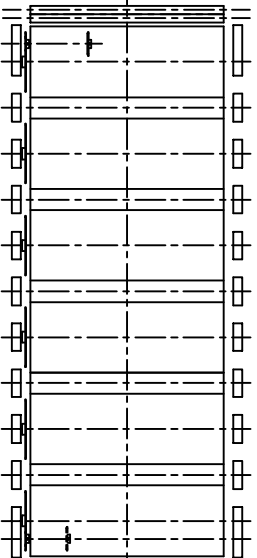


JUTE SIZING MACHINE [MODEL : 1J-0005H]

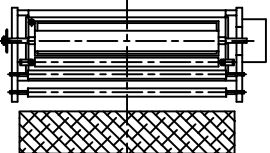
HEAD STOCK



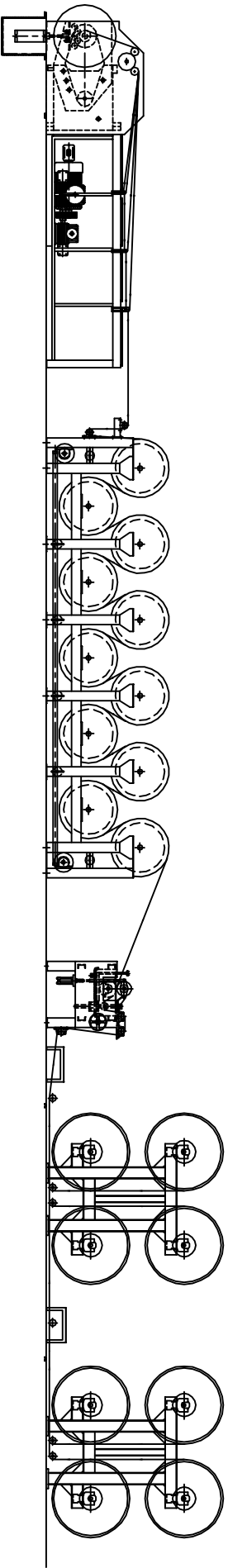
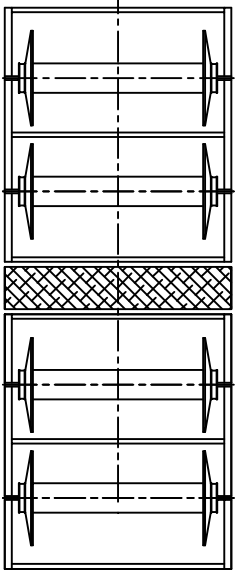
DRYER



SOW BOX



WARP BEAMS' CREEL



Machine Space : 18ft width x 67ft length x 8ft height